



Picture: symbolic - may deviate from module described

**Compact CHP module ready for connection,
mainly consisting of**

- Gas-Otto-engine from industriale series production
- air-cooled, self-excited, brushless synchronous generator
- exhaust gas heat exchanger integrated in primary cooling water circuit
- oxidising catalyst integrated in exhaust gas heat exchanger
- oil reservoir with automatic oil top-up device
- control cabinet with programmable logi control and operating panel
- gas pressure regulation and safety ramp

**Integrated heat recovery system assembly,
mainly consisting of**

- expansion tank for engine and mixture cooling circuit
- safety valve in engine, mixture and heating circuit
- filling, drain and bleeding valves
- transfer plate heat exchanger
- pumps for engine, mixture and heating circuit
- 3-way mixing valve for return temperature increase

Water and gas connections are equipped with compensators. All water-side connections above the heat recovery assembly are directed upwards.

Engine and alternator are linked by a pluggable elastic metal-plastics coupling to compensate radial, axial and angular disalignment and mounted on vibration damping elements on the module baseframe.

Moreover the module baseframe is isolated from the installation surface by anti-oscillation elements.

The control cabinet is executed as a separate unit. All regulation and control functions as well as operational controls are integrated. The menu-navigated touch-screen allows to read and adjust all performance and status data.

The CHP module is driven by a water-cooled, supercharged Gas-Otto engine designed for stationary continuous operation. The microprocessor-controlled ignition system ensures the optimal adaption of ignition timing and energy to the gas quality (methane no.).

Lambda control is carried *without* lambda probe by using a calculation programme, which sets the optimal lambda value for every operational status based on actual power, charging pressure and mixture temperature.

The twin-stage mixture cooling with low and high temperature circuit ensures an exceptionally high electrical efficiency as well as an optimal utilization of thermal power of the mixture heat.

The oil level control is carried out by a sight glass connected to the oil pan with low oil level indication. A 35 litres oil reservoir ensures automatic oil topping-up between oil changing intervals.

The program especially developed by 2G renders possible oil changing intervals > 2.000 operating hours based on the observance of 2G's oil limit values as per technical instruction "2G TA10 AGENITOR Oil" which were determined through specific long term tests.

Engine data			Engine utilities		
	Hz	50			
Mixture cooling to	°C	50	Specific lubricating oil consumption	g/kWh	0,2
Nominal speed	1/min	1500	Filling capacity lubricating oil min./max.	l	30 / 40
ISO standard power (mech.)	kW	229,17			0
Stoichiometric ratio (Lambda)	λ	1,6	Filling capacity cooling water	l	16
Arrangement of cylinders		line	Operating pressure (max.)	bar	2
Number of Cylinders		6	Cooling water flow	l/min	270
Bore	mm	128	Cooling water temperature min.	°C	80
Stroke	mm	166	Cooling water temperature max.	°C	88
Swept volume	l	12,82	Difference (inlet/outlet max.)	K	6
Sense of rotation (viewing on flywheel)		left	Mixture inlet temperature after throttle valve max.	°C	50
Housing of flywheel		SAE 1	Mixture cooling water inlet temperature.	°C	45
tooth rim with number of teeth	Z	160	low temperature circuit (max.)		
			Mixture cooling water flow	l/min	83
compression ratio	ε	13,5 : 1	low temperature circuit (max.)		
mean effective pressure	bar	14,301	Mixture cooling water inlet temperature	°C	85
average piston speed	m/s	8,3	high temperature circuit (max.)		
			Mixture cooling water flow	l/min	111
			high temperature circuit (max.)		
Power data			Efficiencies		
	Hz	50			
Load	%	100	Electrical	%	39,6
Ignition timing BTDC	degrees	20	Mechanical	%	41,3
ISO standard power (mech.)	kW	229	Thermal	%	45,5
Electrical Power	kW	220	Total (el. + th.)	%	85,1
Cooling water heat	kW	97			
Mixture heat (high temperature circuit)	kW	20	Electrical-thermal power ratio		0,87
Mixture heat (low temperature circuit)	kW	15			
Exhaust gas heat down to 120 °C	kW	136	Mass and volume flows		
Useable thermal power at 120 °C exhaust gas	kW	253	Combustion air mass flow	kg/h	1.100
Heat radiation of module (max.)	kW	37	Combustion air volume flow	m³/h	929
Fuel power (consumption)	kW	556	Inlet air volume flow (max.)	m³/h	6.496
Specific fuel consumption (mech.)	kWh/kWh	2,42			
Specific fuel consumption (el.)	kWh/kWh	2,53	Fuel mass flow	kg/h	43
			Fuel volume flow	m³/h	54
Temperatures and pressures			Exhaust gas mass flow, wet	kg/h	1.144
Exhaust gas temperature after turbine	°C	495	Exhaust gas mass flow, dry	kg/h	1.072
Exhaust gas back pressure (max.)	mbar	30	Exhaust gas volume flow, wet	m³/h	901
			Exhaust gas volume flow, dry	m³/h	799
Heating water return temperature (max)	°C	70			
Heating water header temperature (max)	°C	90	Heating water volume flow (max.)	m³/h	14
Pressure loss heating circuit (max)	mbar	150			
Underpressure at the air intake (max)	mbar	15			
Emission values at 5% residual oxygen and dry exhaust gas			Technical basic conditions		
NOx	mg/Nm³	< 500	Standard reference conditions acc. to DIN-ISO-3046/1		
CO	mg/Nm³	< 300	Air pressure: 1000 mbar		
			Air temperature: 25°C, rel. humidity: 30%		
			Gas quality according "2G TA 04 Gas Quality"		
			All data are referred to engine full load at the indicated media		
			temperatures and are subject to technical progress. Operating		
			media and balance of plant have to be carried in accordance with		
			2G's technical instructions. Power reduction due to installation		
			at altitude <400m a.s.l. and/or air suction temperature <30°C		
			shall be specifically determined for each project.		

Alternator data

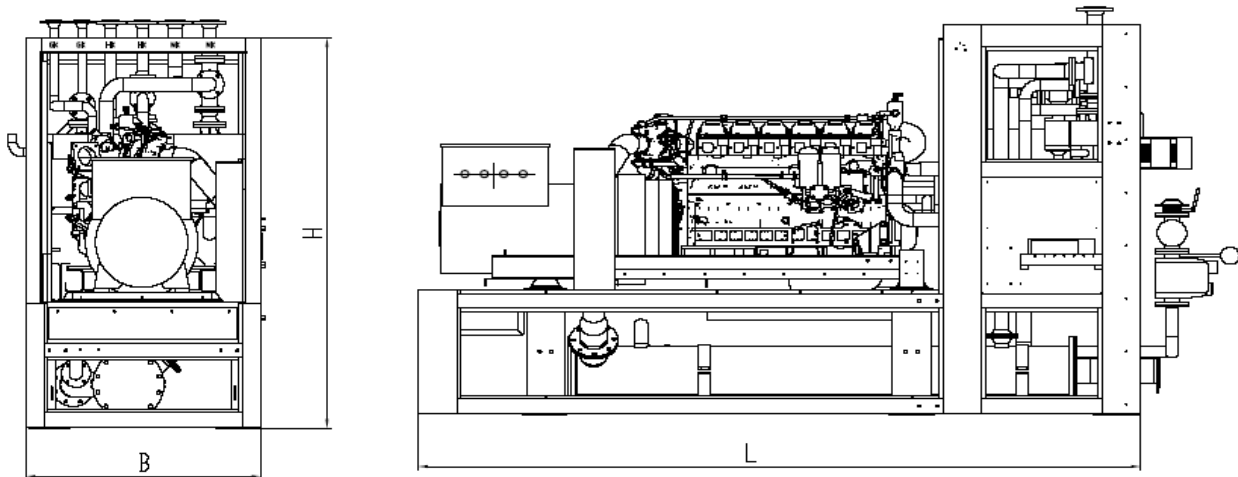
Manufacturer	Leroy Somer	
Type	LSA 46.2 VL12	
Nominal power at $\cos \varphi = 0,8$	kVA	275
Voltage	V	400
Frequency	Hz	50
Nominal speed	1/min	1500
Nominal current at $\cos \varphi = 0,8$	A	397
$\cos \varphi$	0,8 - 1	
Efficiency (full load) at $\cos \varphi = 1$	%	96,00
Efficiency (full load) at $\cos \varphi = 0,8$	%	94,40
Reactance $X''d$	%	11
Reactance $X_i = X_2$	%	12
Mass moment of inertia	kg m ²	2,80
Stator circuit	star	
Ambient air temperature	°C	40
Protection class	IP 23	

$\cos \varphi$ shall be between 0,8 and 1,0 over the entire power range.

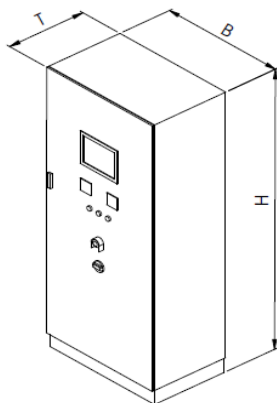
Main dimensions and weights

Module:			
Length (L):	mm	3.720	
Height (H):	mm	2.208	
Width (B):	mm	1.300	
Weight (approx.):	kg	3.500	
Control switchboard			
Height (H)	mm	2.000	
Width (B)	mm	800	
Depth (T)	mm	600	
Weight (approx.):	kg	200	
Power switchboard			
Height (H)	mm	2.000	
Width (B)	mm	600	
Depth (T)	mm	500	
Weight (approx.):	kg	200	

Modul:



Control switchboard



Power switchboard

